

INFO

4/2015

www.alcaplast.com



NEW

New Technical catalogue
Mounting frames for sinks with a cistern
Sensor flushing with manual control

INFO

NEW TECHNICAL CATALOGUE

A complete overview of all the products ALCAPLAST has to offer now brought to you in our new Technical catalogue 2015/2016. It is primarily intended for designers, consultants, architects and also for certified installation companies. It contains detailed technical and logistical information.

This catalogue also includes all the new additions to our product range that ALCAPLAST supplies to the market.

This new Technical catalogue 2015/2016 is also available in digital form which can be downloaded from our website: www.alcaplast.com

A printed version is also available. If you are interested in receiving this catalogue, please contact at: info@alcaplast.cz, or by phone: **+420 519 821 158**.



INFO

SAMPLE PAGE FROM THE TECHNICAL CATALOGUE

Technical Catalogue 2015/2016 Sanitary Equipment

A101/1200 Sádromodul

PRE-WALL INSTALLATION SYSTEM FOR DRY BUILD UP (PLASTERBOARD)

Application:

- For wall-hung WC
- For mounting in front of a support wall or in to a plasterboard construction
- For floor thickness 0 – 200 mm
- For installation of wall hung toilet with a connecting pitch of 180 mm or 230 mm

Features:

- The frame allows the anchoring to a separate sufficiently strong plasterboard partition, in front of the bearing wall
- The installed system is sealed with a plasterboard panel and there is no need for any additional fixing or anchor elements
- The construction of polystyrene insulation prevents condensation forming on the surface of the tank and dampens the vibrations from the tank into the building structure
- Prepared for connecting a bracket with a DG 1/2" conversion for bidet seats and sprays
- Dual flush independently adjustable with hygienic reserve
- Suitable for installation of delayed or sensor flushing
- They are also compatible with all ALCA flush plates
- Maintenance work without using any tools
- Water supply from the rear/top
- The reservoir is made of one piece, thus ensuring 100% impermeability
- Service opening cover simplifies assembly and prevents the penetration of moisture and dirt
- Adjustable telescopic feet in range 0 – 200 mm
- Mounting depth adjustable from 20 – 95 mm
- Mounting depth 125 mm, with waste elbow 160 mm
- Frame material: powder-coated metal

Standards:

ČSN EN 14124, ČSN EN 14055

Technical parameters:

Water connection from the back or top via mounting holes	G1/2"
The functional range of water pressure	0.05 to 0.8 MPa
Recommended range of water pressure	0.3 – 0.5 MPa
Big flush	6 – 9 l
Small flush	2.5 l
The default setting of large flush	6 l
The default setting of small flush	3 l
Hygienic reserve	3 l
Volume of water in the tank	9 l
Load test	400 kg

Scope of supply:

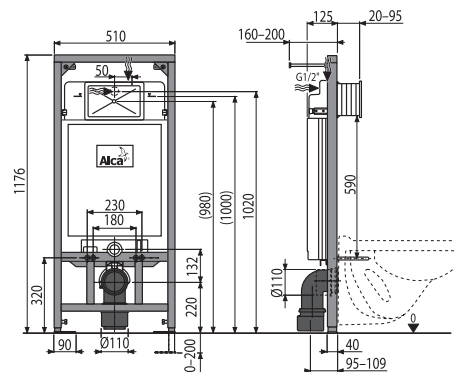
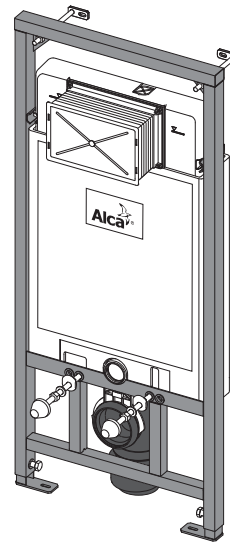
- Tank with fill and flush valve
- Self-supporting frame
- Fittings 1/2" for water connection with the integrated corner valve Schell 1/2"-3/8"
- Flushing mechanism screw 2 pcs
- Fixation set: screw Ø8x60 – 4 pcs, anchor Ø12 – 4 pcs
- Fixation material for fixing the toilet bowl: threaded rod M12 – 2 pcs, pads – 4 pcs, cover – 2 pcs, nut – 2 pcs, thread protector – 2 pcs
- Waste elbow HT90/100 polypropylene
- Inlet seal, polypropylene outlet, wrapping seal
- Drainage seal, polypropylene connector, connector seal
- Set of end-caps for protecting the connecting holes during installation of the system
- Service opening cover is simply adjustable, screws 4 pcs

Logistic information:

Weight (piece)	14.1967 kg
Dimensions (piece)	1195x145x530 mm
Quantity (packing)	1 pc
Quantity (pallet)	15 pcs

Order number:

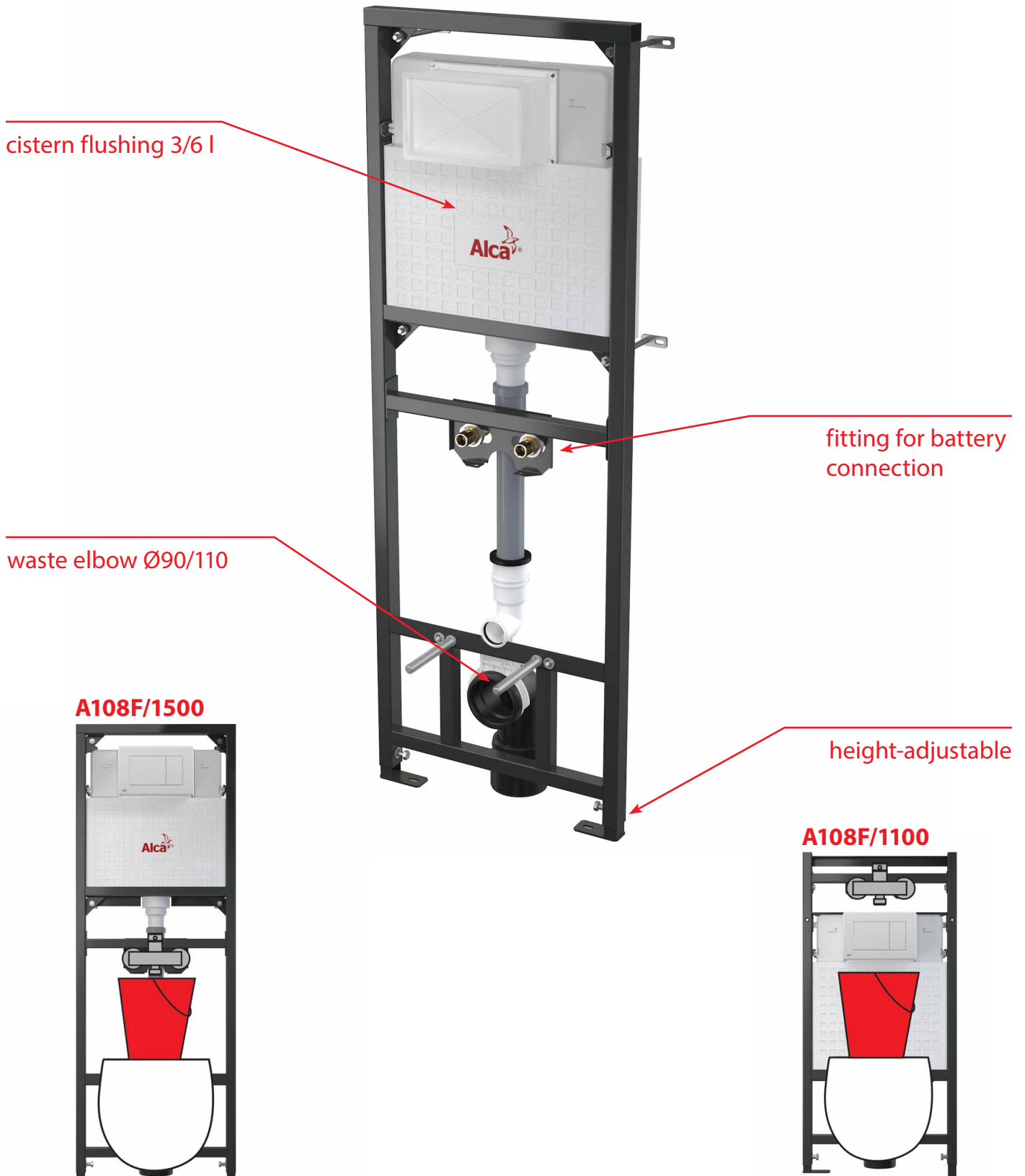
Code	EAN
A101/1200	8594045935851



NEW

MOUNTING FRAMES FOR SINKS WITH A CISTERN

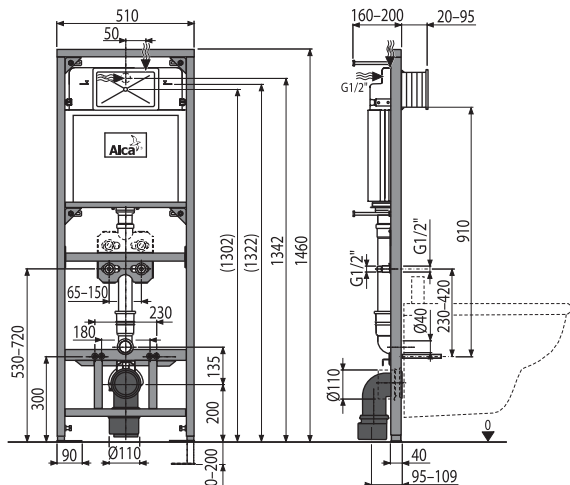
Mounting frames A108F allow the installation of sinks with waste Ø90/110. The contents of the sink can be easily flushed thanks to the integrated cistern. Of course there is also connection fittings for wall batteries. They are also compatible with all ALCA flush plates.



NEW

A108F/1500

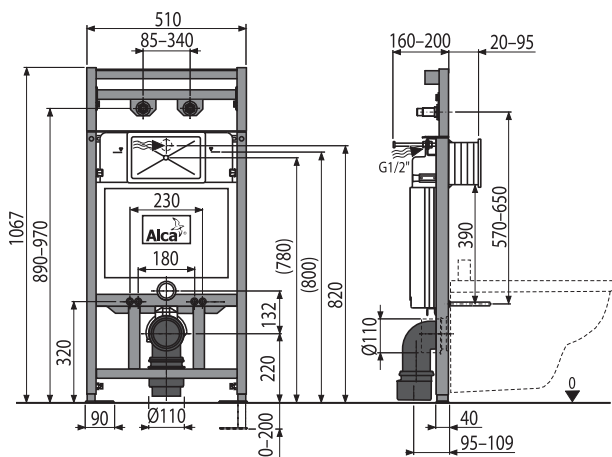
Mounting frame with cistern for a waste sink with waste connection Ø90/110 and battery



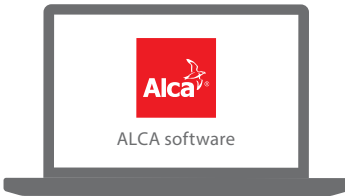
Packaging - quantity	1 pc
Dimensions - piece	1460x530x155 mm
Weight (piece)	17,1160 kg
EAN	8595580540517

A108F/1100

Mounting frame with cistern for a waste sink with waste connection Ø90/110 and battery

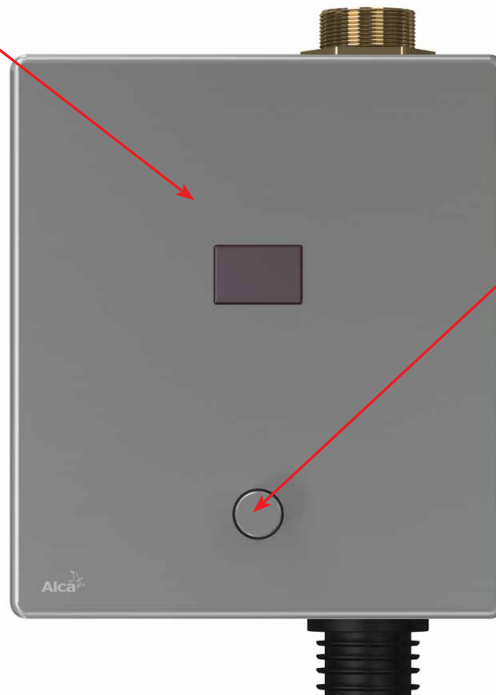


Packaging - quantity	1 pc
Dimensions - piece	1195x145x530 mm
Weight (piece)	15,58 kg
EAN	8595580542139

NEW**SENSOR FLUSH WITH MANUAL CONTROL**

simple setup, possibility of connection via mini USB to a computer, or an intelligent management system for buildings

- start and end time of registration
- the length of flushing
- for automatic flushing WC
- hygienic rinse
- pre-wash
- post-wash (flooding)
- sensing distance:



manual button for manual flush activation

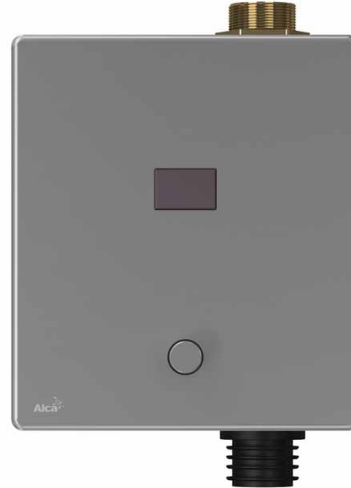
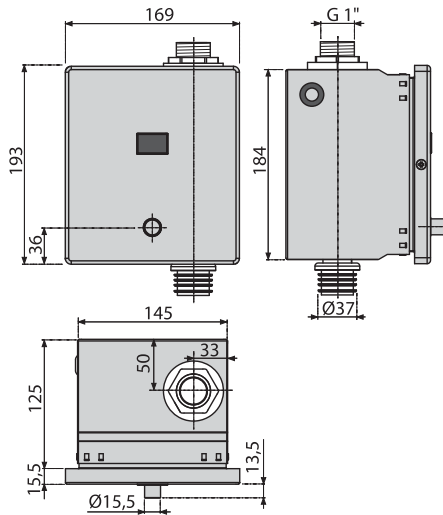
- universal setting for WC, urinal, water valves
- magnetic switch for service setting and cleaning
- AC or battery
- removable cover plate – stainless steel
- fully manually adjustable
- possibility of setting a hygienic flush after 24 hours of inactivity



NEW

ASP3-KT

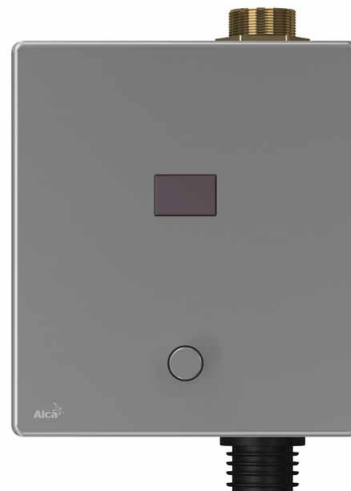
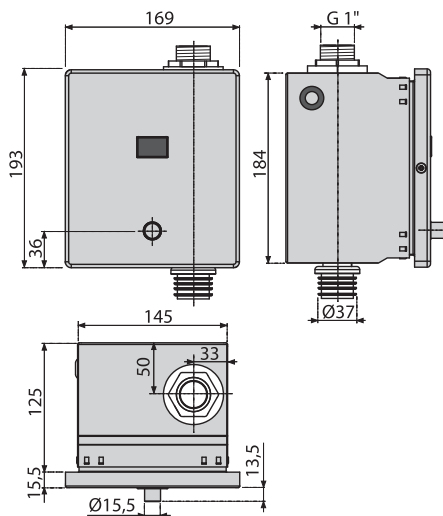
Automatic WC flushing system, manual, 12 V (AC power supply)



Packaging – quantity	10 pcs
Dimensions – piece	265×180×180 mm
Weight (piece)	2,6835 kg
EAN	8595580541354

ASP3-KBT

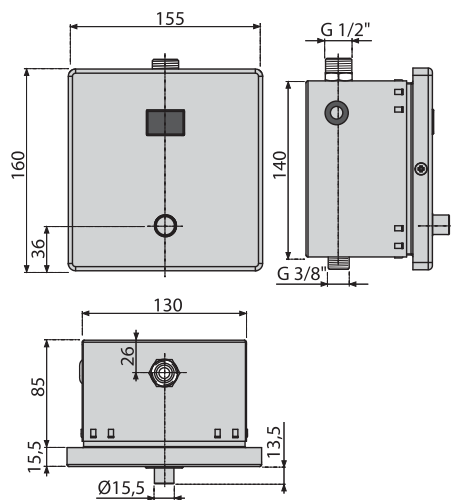
Automatic WC flushing system, manual, 6 V (battery operated)



Packaging – quantity	10 pcs
Dimensions – piece	265×180×180 mm
Weight (piece)	2,9543 kg
EAN	8595580541644

NEW**ASP4-KT**

Automatic urinal flushing system, manual, 12 V
(AC power supply)



Packaging - quantity	18 pcs
Dimensions - piece	180×165×140 mm
Weight (piece)	2,0661 kg
EAN	8595580541361

The ALCAPLAST team of specialists is always on hand to help with design, installation and quote project prices!

Czech product
ISO 9001:2008



EN 55014-1, EN 55014-2, EN 61000-6, EN 61000-4
NV 616/2006 Sb. Coll. as amended
2011/95 / EC including amendments

Alca PLAST[®]

CZECH REPUBLIC

Alca plast, s. r. o.
Bratislavská 2846, 690 02 Breclav
tel.: +420 519 821 117 – Sales Dept. CZ
tel. : +420 519 821 041 – Export Dept.
fax: +420 519 821 083
alcaplast@alcaplast.com
www.alcaplast.com