

INFO

8/2015

www.alcaplast.com



NEW

Toilet seats Slim SOFTCLOSE
Outdoor drainage - garage set HOME
New spare parts price list

NEW

WC SEATS

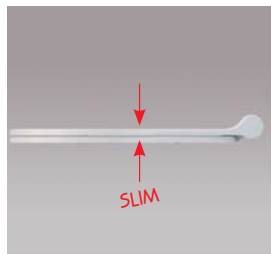
SLIM



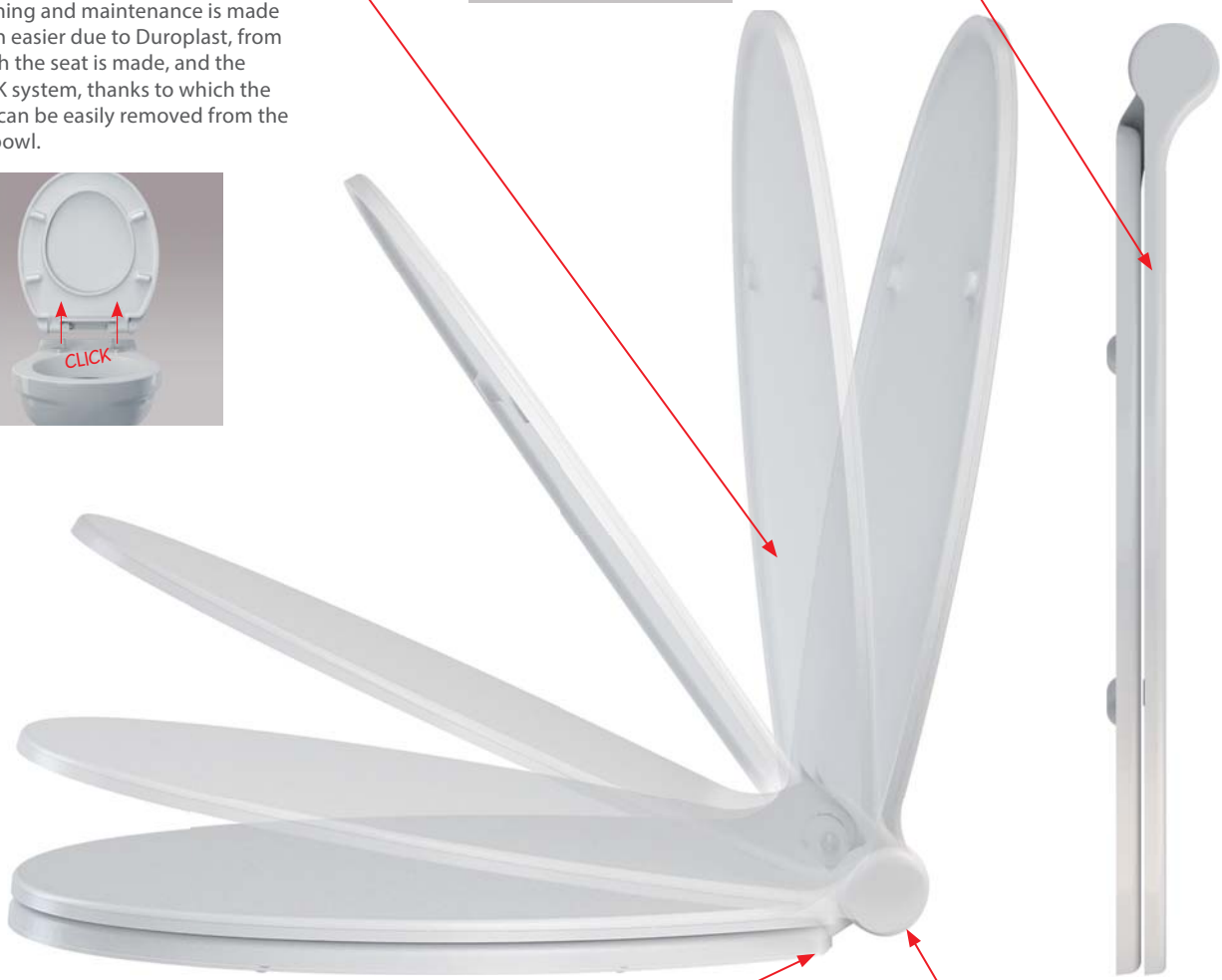
NEW

NEW TOILET SEATS SOFTCLOSE A64SLIM and A67SLIM

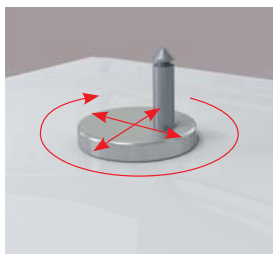
- low-profile WC seat



- Cleaning and maintenance is made much easier due to Duroplast, from which the seat is made, and the CLICK system, thanks to which the seat can be easily removed from the WC bowl.



- Thanks to the adjustable attachment system it easily adapts to any type of WC pan.



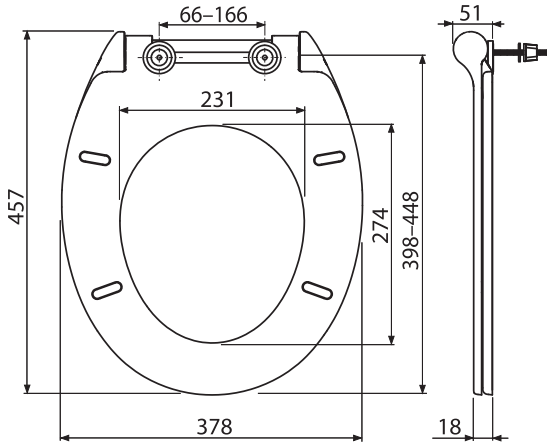
- SOFTCLOSE - Slow closing toilet seat and lid ensured by the hydraulic brake



NEW

A64SLIM

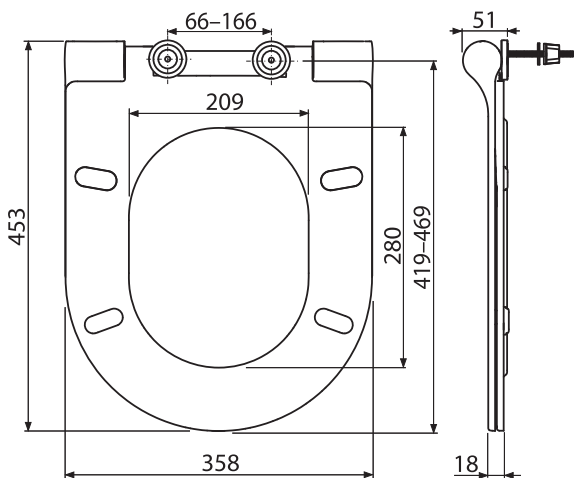
Toilet seat Slim SOFTCLOSE



Packaging - quantity	5 pcs
Dimensions - piece	395 × 68 × 483 mm
Weight (piece)	2,55 kg
EAN	8595580544355

A67SLIM

Toilet seat Slim SOFTCLOSE



Packaging - quantity	5 pcs
Dimensions - piece	397 × 74 × 480 mm
Weight (piece)	2,8 kg
EAN	8595580544362

NEW

OUTDOOR DRAINAGE - GARAGE SET HOME

For easy and safe drainage of driveways, garage areas or terraces. HOME garage set contains 3 × 1 m outdoor drain channels with galvanized grating T profile for loads up to 1.5 tons (A15), 1 x front and 1 x bottom outlet connectors. Alcaplast outdoor drain channels are resistant to chemical and mechanical deformation. The material used (polypropylene filled with talc) is non-absorbent and perfectly smooth. This ensures excellent drainage parameters.



Advantages:

- easy connection to the sewage system Ø110
- low weight and easy handling
- chemical and mechanical resistance
- unlimited lifetime
- ecological and recyclable product

Garage set HOME

material	talc filled polypropylene with galvanized grating T profile
Dimensions	1 000 mm
connection to the sewage system	Ø110
load class according to ČSN EN 1433	A15 (1,5 t)
WARRANTY	6 YEAR

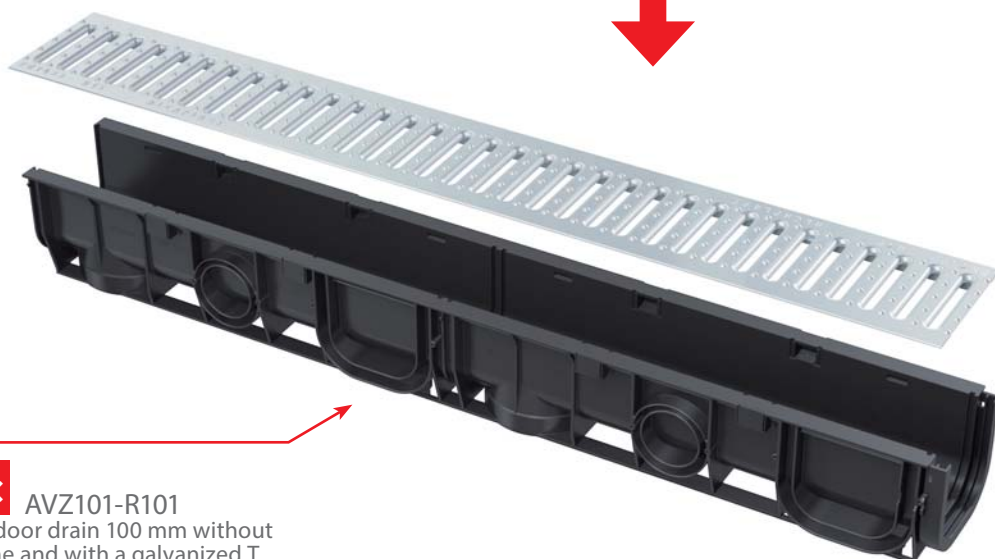
NEW

AVZ-G101B

Outdoor drain - garage set 3 m with side waste connection Ø110



PACKING
CONTAINS



3x AVZ101-R101
Outdoor drain 100 mm without
frame and with a galvanized T
profile grid

1x AVZ-P009
End cap to close the
drain channel

1x AVZ-P010
End cap connector
for waste Ø110

Packaging - quantity	1 pc
Dimensions - piece	1 100 × 450 × 145 mm
Weight (piece)	11,43 kg
EAN	8595580544942

NEW

NEW SPARE PARTS PRICE LIST

For installers and customers there is an updated spare parts price list available now.
To download the electronic version go to www.alcaplast.com.



The ALCAPLAST team of specialists is always on hand to help with design, installation and quote project prices!

Czech product
ISO 9001:2008



EN 55014-1, EN 55014-2, EN 61000-6, EN 61000-4
NV 616/2006 Sb. Coll. as amended
2011/95 / EC including amendments

Alca PLAST[®]

CZECH REPUBLIC

Alca plast, s. r. o.
Bratislavská 2846, 690 02 Breclav
tel.: +420 519 821 117 – Sales Dept. CZ
tel. : +420 519 821 041 – Export Dept.
fax: +420 519 821 083
alcaplast@alcaplast.com
www.alcaplast.com