

INFO

9/2015

www.alcaplast.com

NEW

Plastic linear drain APZ12 Optimal
Double connector set P148 and P148Z

NEW


NEW PLASTIC LINEAR DRAIN APZ12 OPTIMAL

Brand new floor drain of highly durable plastic, that can withstand frost and chemicals, which ensure perfect drainage of showers at floor level. Adjustable plastic anchoring legs allow for a fast and convenient installation, including precise setting of the required level.

100% EASY CLEAN TRAP
 One odour trap is standard, but the ALCA linear shower drain utilizes a two-flow compartment system, with removable inlet parts. This creates a dual odour trap system that allows simple and complete cleaning of both compartments and the waste pipe.

SLOPED DRAIN CHANNEL
 Channel body is sloped towards the center and thus ensuring a higher flow-rate and better self-cleaning properties.

COMBINED ODOUR TRAP



When water flows in, the flaps open and allow the water to drain out

If water does not flow through the trap, the valves remain closed. Also, In case the water odour trap dries out, the valves still prevent the smell from rising out of the sewer.

4 LENGTH VARIANTS
 750, 850, 950 and 1050 mm.

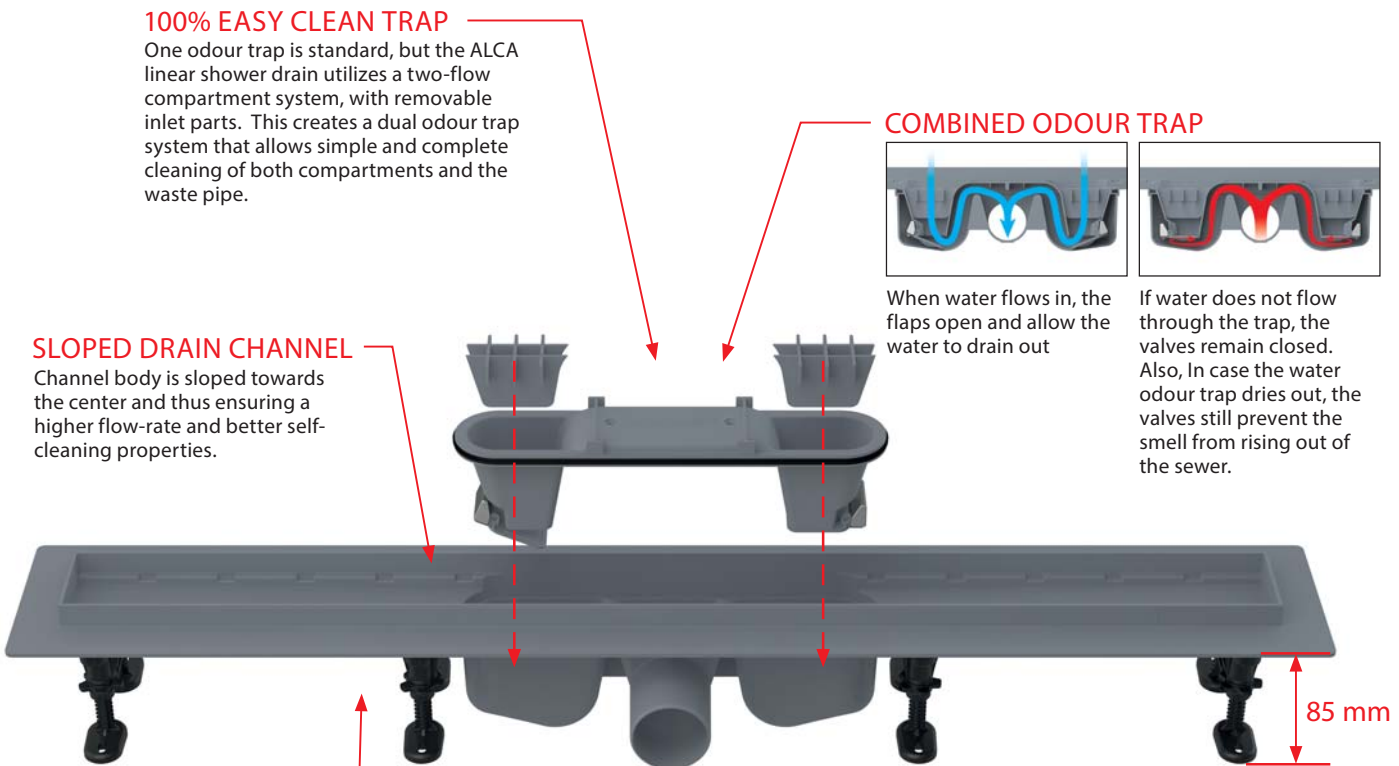
FLOW RATE 63 L/MIN.
 ALCA Linear drain APZ12 Optimal with the special dual compartment trap, ensures flow rates of up to 63 l/min. This guarantees that no flooding will occur in your bathroom even when using big format shower heads with a very high flow rate of water.

HT50

ADJUSTABLE FEET
 0-27 mm

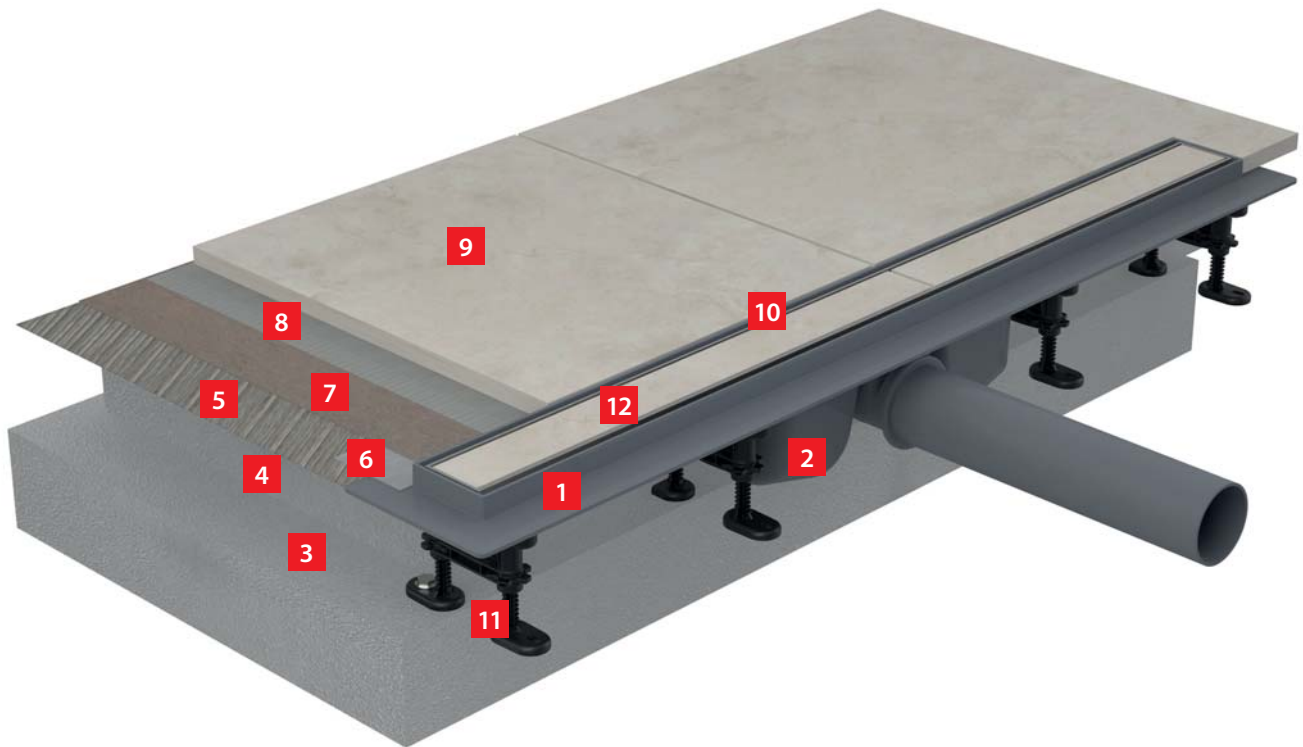
- easy installation
- convenient and quick anchoring to the floor
- accurate and solid straight surface setting
- material PP

LOW INSTALLATION HEIGHT
 85 mm



NEW

NEW PLASTIC LINEAR DRAIN APZ12 OPTIMAL



- | | | | |
|-------------------------------------|-----------------------------|---------------------------------|-----------------------------|
| 1 Linear drain APZ12 Optimal | 4 concrete screed | 7 waterproofing material | 10 flexible filler |
| 2 waste trap | 5 primer coat | 8 adhesive | 11 installation legs |
| 3 foundation slab | 6 waterproofing tape | 9 floor tiles | 12 grid TILE |

GRIDS FOR LINEAR DRAIN APZ12 OPTIMAL

TILE ←



LINE



PURE



CUBE



NEW

grid for embedding tiles
or waterproof wood

HOPE



BUBLE



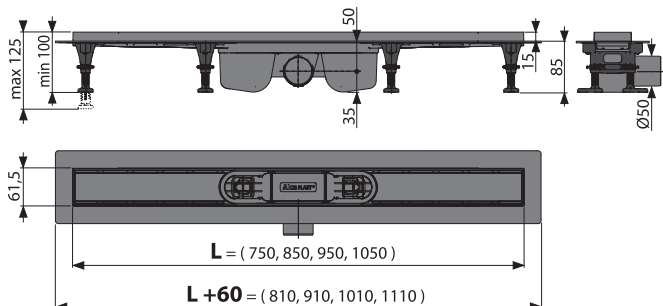
DREAM



NEW

APZ12 Optimal

Linear drain with an edge for perforated grids or tile embedding



Packaging - quantity APZ12-750	12 pcs
Dimensions (piece)	125x150x820 mm
Weight (piece)	1,46 kg
EAN	8595580541033

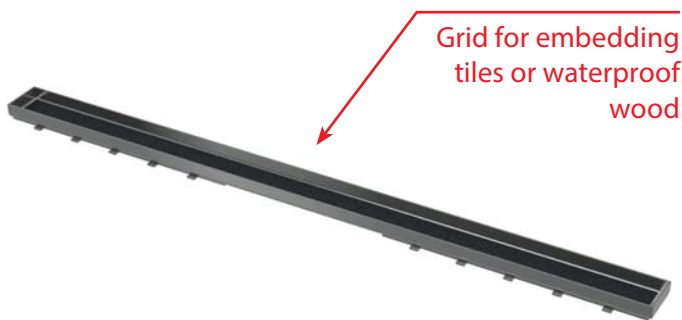
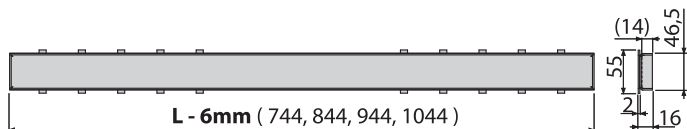
Packaging - quantity APZ12-950	12 pcs
Dimensions (piece)	125x150x1020 mm
Weight (piece)	1,58 kg
EAN	8595580541057

Packaging - quantity APZ12-850	12 pcs
Dimensions (piece)	125x150x920 mm
Weight (piece)	1,51 kg
EAN	8595580541040

Packaging - quantity APZ12-1050	12 pcs
Dimensions (piece)	125x150x1120 mm
Weight (piece)	1,64 kg
EAN	8595580541064

TILE

Grid for linear drain APZ12



Packaging - quantity TILE-750	1 pc
Dimensions (piece)	744x55x14 mm
Weight (piece)	1,1693 kg
EAN	8595580542993

Packaging - quantity TILE-850	1 pc
Dimensions (piece)	844x55x14 mm
Weight (piece)	1,3139 kg
EAN	8595580543006

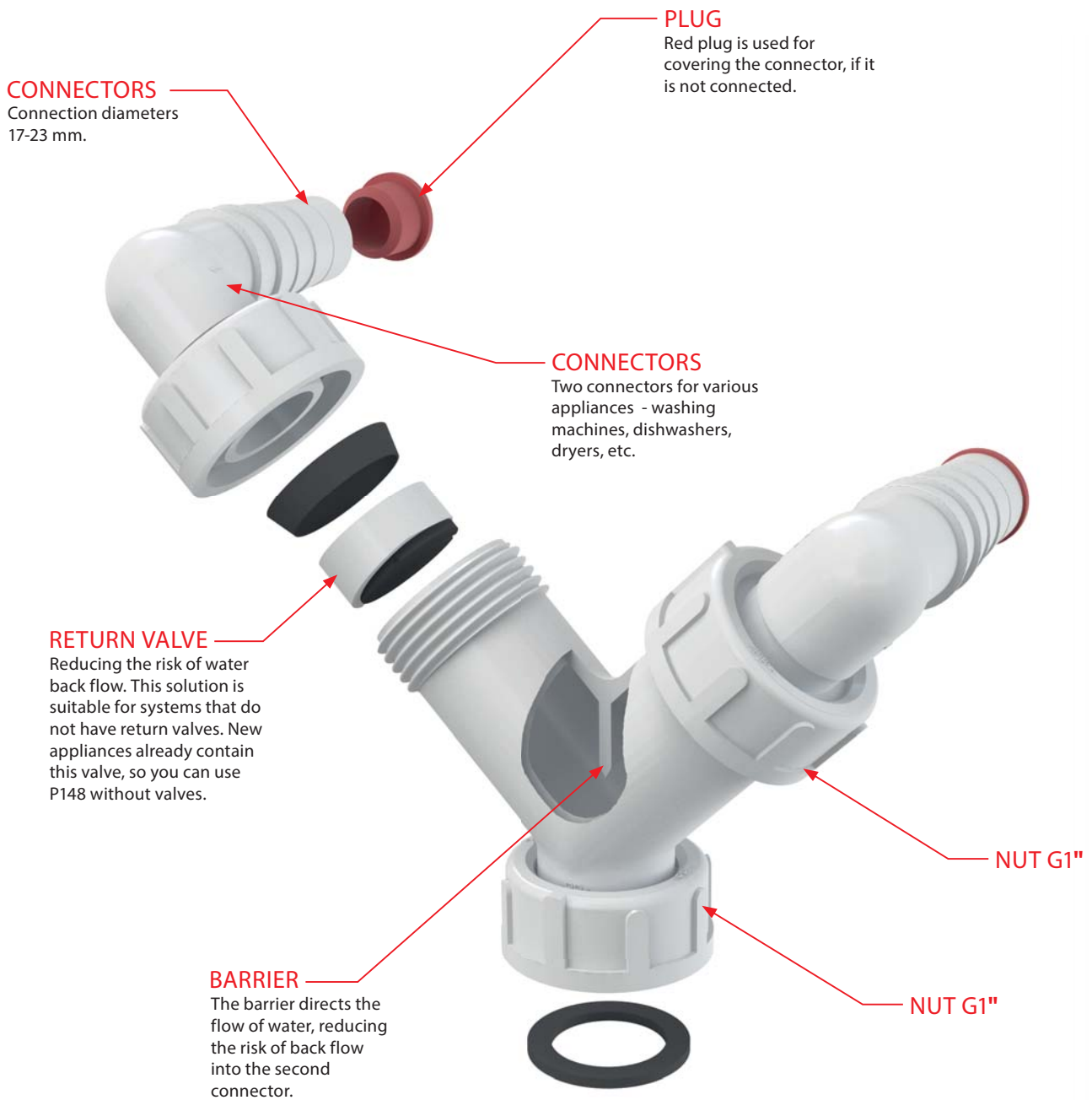
Packaging - quantity TILE-950	1 pc
Dimensions (piece)	944x55x14 mm
Weight (piece)	1,4585 kg
EAN	8595580541057

Packaging - quantity TILE-1050	1 pc
Dimensions (piece)	1044x55x14 mm
Weight (piece)	1,6131 kg
EAN	8595580541064

NEW

DOUBLE CONNECTOR SET P148 AND P148Z

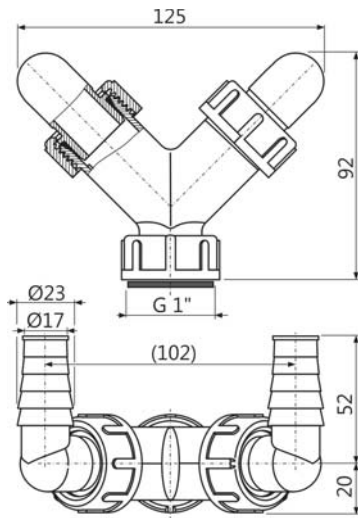
Double connector for different types of traps. Connects various appliances to the waste pipe.



NEW

P148

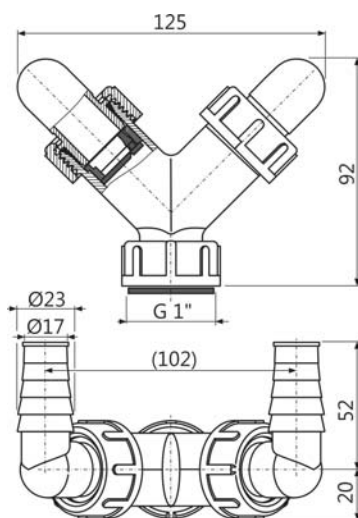
Double connectors G1"/ 17-23



Packaging - quantity P148	50 pcs
Dimensions (piece)	125×94×72 mm
Weight (piece)	0,0842 kg
EAN	8595580544980

P148Z

Double connectors G1"/ 17-23 with return valve



Packaging - quantity P148Z	50 pcs
Dimensions (piece)	125×94×72 mm
Weight (piece)	0,0902 kg
EAN	8595580544973

Tým specialistů firmy ALCAPLAST je vždy připraven pomoci při projektování, instalaci i stanovování projektových cen našich výrobků!

Český výrobek
ISO 9001:2008



EN 55014-1, EN 55014-2, EN 61000-6, EN 61000-4
NV 616/2006 Sb. v platném znění
2011/95/EC including amendments

Alca PLAST®

CZECH REPUBLIC

Alca plast, s. r. o.
Bratislavská 2846, 690 02 Breclav
tel.: +420 519 821 117 – Sales Dept. CZ
tel. : +420 519 821 041 – Export Dept.
fax: +420 519 821 083
alcaplast@alcaplast.com
www.alcaplast.com