

INFO

10/2015

www.alcaplast.com



NEW

Cleaning set 5in1
WS ALCA

New spare parts price list

New catalogue Swimming pool and wellness
area drainage specialist

NEW

CLEANING SET 5IN1

M270

Flush plate for pre-wall installation systems
 - Dual flushing mechanism
 - Material: plastic

A108F/1100

Mounting frame with a cistern for the cleaning waste sink

COVER GRID FOR THE WASTE SINK

M91

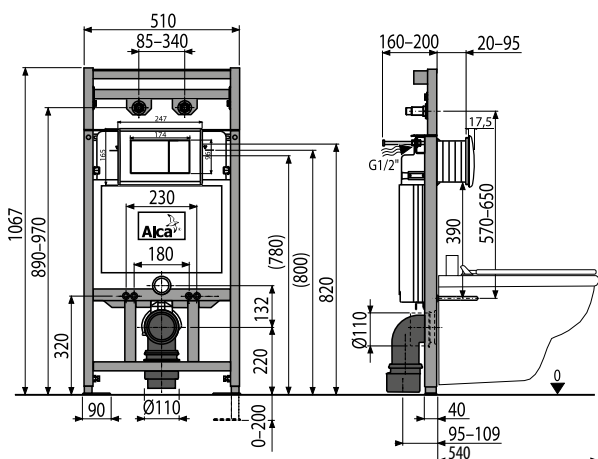
Insulation board for wall-hung WC pans
 - To compensate the uneven surface between the waste sink and the wall tiles



WASTE SINK ALCA

A108F 5:1 SET

The set contains the mounting frame, waste sink, insulation board, cover grid and flush plate



| | |
|------------------------------------|---------------|
| Packaging - quantity A108F 5:1 SET | 1 pc |
| Weight (piece) | 31,2878 kg |
| EAN | 8595580545857 |

NEW

CLEANING SET 5IN1

This set is a complete solution for technical and other similar rooms used for cleaning. It includes the mounting frame with the concealed cistern, the wall-hung ALCA waste sink, the flush plate, the insulation board and the sink cover grid. The contents of the waste sink can be easily flushed thanks to the integrated cistern. There are also connection fittings for the wall batteries. The system is also compatible with all ALCA flush plates.

Frame for mounting
the wall-hung waste sink

Compatible with
all ALCA flush plates

The cistern is made
out of one piece,
thus ensuring 100%
impermeability



Height sliding fittings
for mounting the mixer
and wall batteries

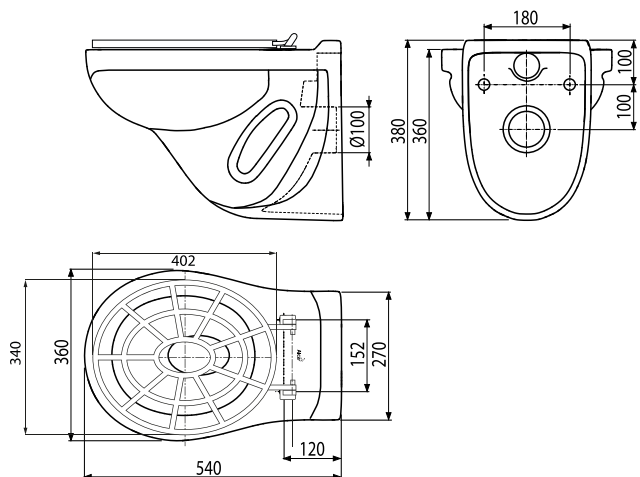
Material:
– Powder coated
black steel

Height-adjustable feet

NEW

WS ALCA

Waste sink with cover grid



| | |
|------------------------------|---------------|
| Packaging - quantity WS ALCA | 1 pc |
| Weight (piece) | 15,35 kg |
| EAN | 8595580545758 |

NEW

NEW SPARE PARTS PRICE LIST

For plumbers and customers there is now available an updated price list of spare parts.
To download the electronic version go to www.alcaplast.com.



NEW

NEW CATALOGUE: "SWIMMING POOL AND WELLNESS AREA DRAINAGE SPECIALIST"

Available now is our new catalogue for non-standard solutions and atypical manufacturing of stainless steel linear drains, overflow gratings and complete solutions for pool drainage and wellness areas. To download the electronic version go to www.alcaplast.com.



The ALCAPLAST team of specialists is always on hand to help with design, installation and quote project prices!

Czech product
ISO 9001:2008



EN 55014-1, EN 55014-2, EN 61000-6, EN 61000-4
NV 616/2006 Sb. Coll. as amended
2011/95 / EC including amendments

Alca PLAST[®]

CZECH REPUBLIC

Alca plast, s. r. o.
Bratislavská 2846, 690 02 Breclav
tel.: +420 519 821 117 – Sales Dept. CZ
tel. : +420 519 821 041 – Export Dept.
fax: +420 519 821 083
alcaplast@alcaplast.com
www.alcaplast.com