

Plastic linear shower drains

Economical
variant for
perfect
look!



CZECH PRODUCT



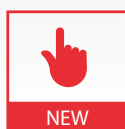
APZ18 Simple, APZ22 Optimal
Plastic shower drains
with stainless steel edge

6

YEAR GUARANTEE

APZ8 Simple APZ9 Simple APZ10 Simple

The shower drain with plastic edge



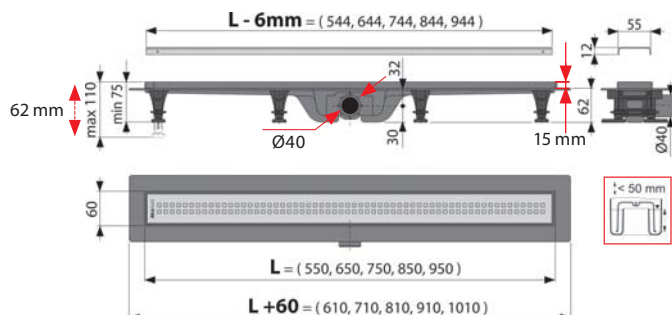
APZ18 Simple

The shower drain with stainless steel edge

Shower drain and grid included in the packaging (550, 650, 750, 850, 950 mm)

Plastic shower drains APZ8, APZ9, APZ10 and APZ18 are due to the low construction height of 62 mm particularly suitable for reconstruction of residential buildings.

They are made of highly durable plastic that resists frost and chemistry and is completely cleanable up to the waste pipe. Each package includes the complete shower drain set with a grid and the accessories. There are three grid designs for the shower drain with a plastic edge and one for the shower drain with stainless steel edge.



APZ8 Simple, APZ9 Simple, APZ10 Simple, APZ18 Simple

Length variants of shower drain	550, 650, 750, 850, 950 mm
Installation height	62 mm
Flow rate of shower drain	30 l/min
Waste pipe	Ø40 mm
Width of the grid	55 mm



APZ8



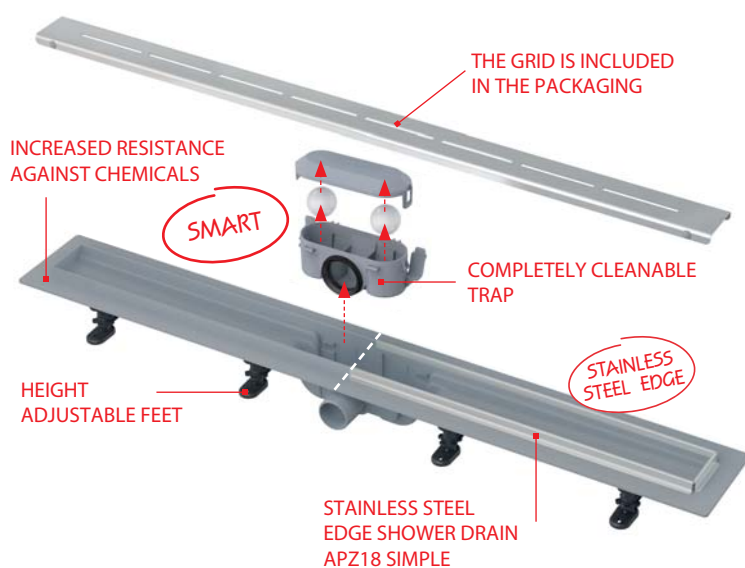
APZ9



APZ10



APZ18



Package content

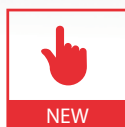
- Shower drain
- Grid
- Waterproof tape at the length of the linear drain
- Combined odour trap with 2 chambers
- Anchoring kit (screws, dowels)
- Anchoring legs
- Dismantling hook

6

YEAR GUARANTEE

APZ12 Optimal

The shower drain with plastic edge



NEW

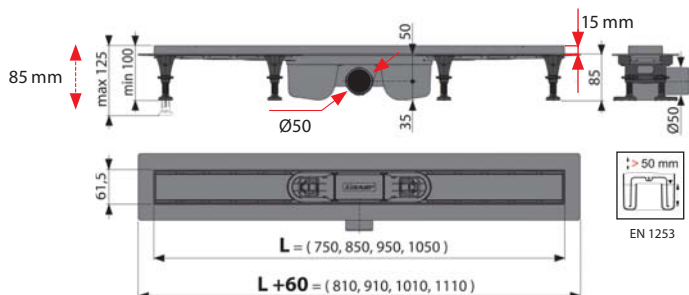
APZ22 Optimal

Shower drain with stainless steel edge

Choice of perforated grid or grid for embedding tiles

Plastic shower drains APZ12 and APZ22 have a building height of 85 mm.

They are made of highly durable plastic that resists frost and chemistry and is completely cleanable up to the waste pipe. Perfectly ensures the drainage of showers at the floor level. Double compartment trap ensures the flow rate of 63 l/min. This is a guarantee that your bathroom will not be flooding even if installing large format shower head with high water inlet. Adjustable plastic anchoring legs allow the fast and convenient installation, including precise plane setting. The grid is not included in the packaging. We offer perforated grids, full grids or grids for embedding tiles or water-resistant wood.



LINE



DREAM



PURE



BUBBLE



CUBE



HOPE



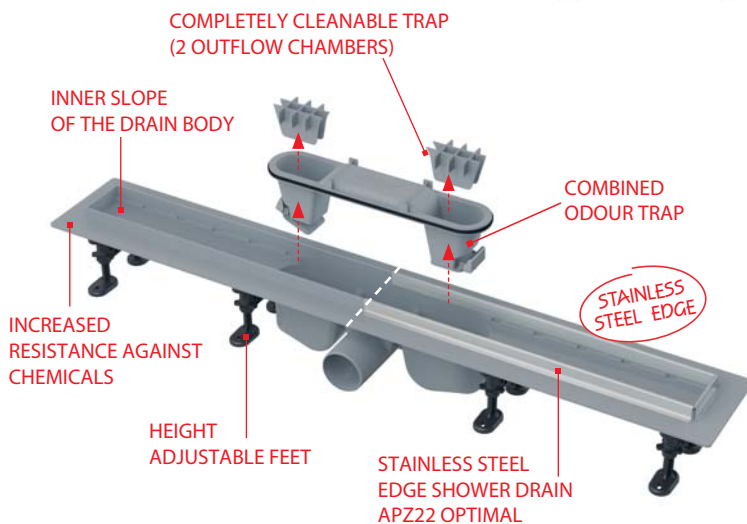
TILE

GRID FOR EMBEDDING TILES



SOLID

SOLID



Combined odour trap

It is suitable not only for the frequently used showers where it ensures high flow rate, but also to the shower enclosures with a lower frequency of use (recreational areas, areas with seasonal utilization) where insufficient irrigation causes the water drying in the odour trap.



SMART



If water does not flow through the waste, the flaps remain closed and even when the water seal dries out they still prevent odours rising from the sewer.

When water flows in, the flaps open and allow the water to drain out.

APZ12 Optimal, APZ22 Optimal	
Length variants of shower drain	750, 850, 950, 1 050 mm
Installation height	85 mm
Shower drain flow rate	63 l/min
Waste pipe	Ø50 mm
Width of the grid	53 mm

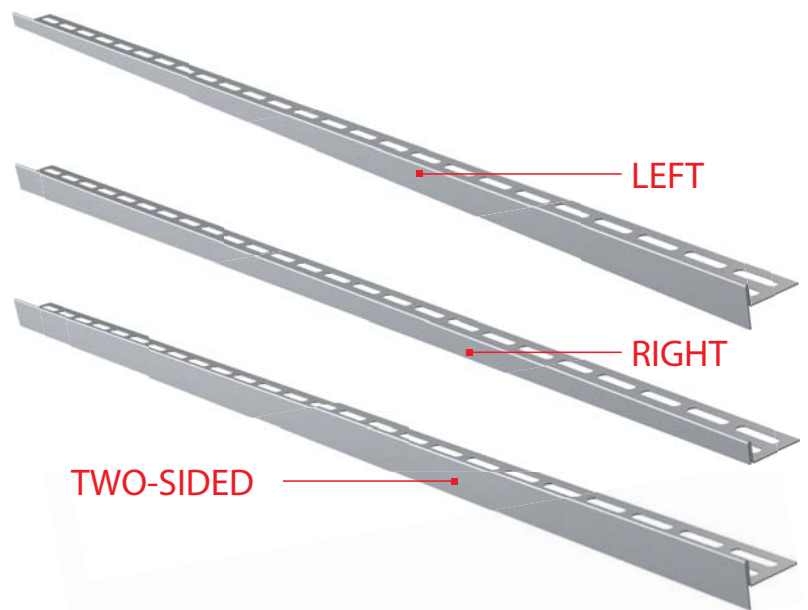
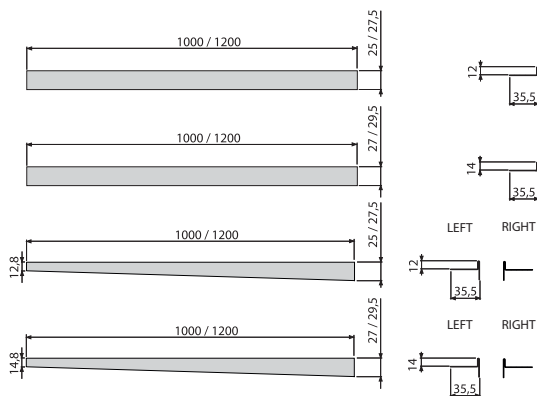
* Length valid only for APZ12 Optimal

APZ90_M

Stainless steel strips for sloped floors

The stainless steel strip covers the vertical distance between the sloping and horizontal floor areas. It is available with a matt finish, in right, left and two-sided versions, in the lengths of 1,000 mm and 1,200 mm. Right and left design shall be determined by the direction of the paving slope toward the shower drain. The two-sided design can be used as a spacing strip behind the shower drain and also as a sloping strip if necessary.

2
YEAR GUARANTEE



Product code	Strip length	Orientation	Flange height
APZ901M/1000	1,000 mm	Left	12 mm
APZ901M/1200	1,200 mm	Left	12 mm
APZ902M/1000	1,000 mm	Right	12 mm
APZ902M/1200	1,200 mm	Right	12 mm
APZ903M/1000	1,000 mm	Left	14 mm
APZ903M/1200	1,200 mm	Left	14 mm
APZ904M/1000	1,000 mm	Right	14 mm
APZ904M/1200	1,200 mm	Right	14 mm
APZ905M/1000	1,000 mm	Two-sided	12 mm
APZ905M/1200	1,200 mm	Two-sided	12 mm
APZ906M/1000	1,000 mm	Two-sided	14 mm
APZ906M/1200	1,200 mm	Two-sided	14 mm

